

MODERN EMBER

WALL MOUNTED & RECESSED ELECTRIC FIREPLACE

Model# : ■ ME-HM40 ■ ME-HM50 ■ ME-HM60
 ■ ME-HM72 ■ ME-HM84 ■ ME-HM100

OWNER'S MANUAL



AC 120V 60Hz 1465W

WARNING

Read and understand this entire owner's manual, including **all safety information, before plugging in or using** this product. Failure to do so could result in **fire, electric shock, or serious personal injury.**

CAUTION

Keep this owner's manual for future reference. If you sell or give this product away, **make sure this manual accompanies this product.**

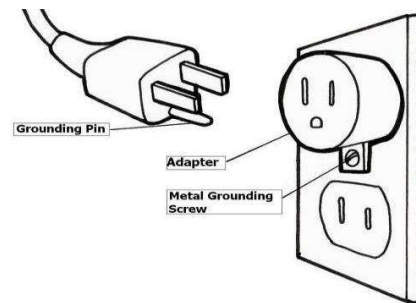


IMPORTANT SAFETY INFORMATION!

WARNING

- **Read all instructions before using this heater!**
- This heater is **hot when in use**. To avoid burns, **DO NOT** let bare skin touch **hot** surfaces. If provided, use handles when moving this heater. Keep **combustible materials**, such as furniture, pillows, bedding, papers, clothes, and curtains at least **3 feet (0.9m)** from the **front of the heater**, and **keep them away from the sides and rear**.
- **Extreme caution** is necessary when any heater is used by or near **children** or **invalids** and whenever the heater is left **operating and unattended**.
- **DO NOT** operate any heater with a **damaged cord or plug**, after it has **malfunctioned**, or if it has been **dropped** or **damaged in any manner**. Discard the heater or return it to an authorized service facility for examination and/or repair.
- **DO NOT** run power cord under carpeting. **DO NOT** cover power cord with throw rugs, runners, or similar coverings. **DO NOT** route power cord under furniture or appliances. Arrange power cord **away from traffic** area, and where it will not be tripped over.
- **Connect to properly grounded outlets ONLY.**
- **DO NOT insert** or **allow foreign objects** to **enter any ventilation or exhaust opening**, as this may cause **electric shock** or **fire**, or **damage the heater**.
- To prevent a possible fire, **DO NOT** block air intakes or exhaust in any manner. Doing so could cause a **fire**. **DO NOT** use on soft surfaces, like a bed, where openings may become blocked.
- A heater has **hot and arcing or sparking parts inside**. **DO NOT** use it in areas where **gasoline, paint, or flammable liquids** are used or stored.
- **Use this heater only as described in this manual. Any other use not recommended by the manufacturer may cause fire, electric shock, or injury to persons.**
- **ALWAYS** plug heaters directly into a wall outlet/receptacle. **NEVER** use with an extension cord or relocatable power tap (outlet/power strip).
- **DO NOT place the heater near a bed** because objects such as pillows or blankets can fall off the bed and be ignited by the heater.
- **NEVER** use this heater in **bathrooms, laundry rooms**, or any other location where the heater could fall into a **bathtub** or **pool**, **become damp**, or **come in contact with water**.
- **AVOID FIRE!** Regularly inspect all air vents to make sure they are free from dust, lint, or other blockage. **Unplug the unit** and clean with a **vacuum ONLY**. **DO NOT** rinse or get wet.
- **ALWAYS** mount to wall bracket before use. **DO NOT** set on the floor, or other surface, to use.
- **NEVER** use a wall mount bracket from another manufacturer.
- This product is **not intended** to be a **primary heat source**. It is for **supplemental heat only**.
- **INDOOR use only! NEVER** use this heater **outdoors!** Doing so may result in **electric shock!**
- **Risk of electric shock! DO NOT OPEN!** No user-serviceable parts inside!

- **ALWAYS** turn this heater off before unplugging it from the outlet.
- **ALWAYS disconnect** this unit from the **power** supply **before** performing any assembly or cleaning, or before relocating the electric fireplace.
- **NEVER** leave this heater unattended. **ALWAYS** unplug this heater when not in use.
- **ALWAYS** store this heater in a dry location. **NEVER** use the fireplace if it has become wet.
- **NEVER** plug this heater into an outlet that is **old, cracked,** or has any **loose wires or connections**. Plugging this heater into a faulty outlet could result in **electric arcing** within the outlet that could cause the **outlet to overheat or catch fire**.
- **ALWAYS** check your heater cord and plug connections with **each use!**
 - i) **MAKE SURE** the plug fits tight in the outlet! Faulty wall outlet connections or loose plugs can cause the outlet to overheat.
 - ii) **Heaters draw more current** than small appliances. **Overheating** may occur even if it has not occurred with the use of other appliances.
 - iii) During use, **check frequently** to see if the **plug outlet or face plate is HOT**.
 - iv) If the outlet or face plate is **HOT, discontinue use immediately** and have a qualified electrician inspect and/or replace the faulty outlets.
- The power cord supplied with the heater has three prongs: two flat blades (live and neutral) and one round pin (ground). If a 3-slot receptacle is not available, an adapter **MUST** be used. The adapter **MUST** be **properly grounded** to the outlet box (see figure at right). [NOTE: Adapter NOT INCLUDED.]
- **SAVE THESE INSTRUCTIONS!**


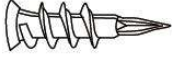
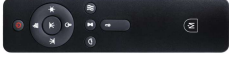

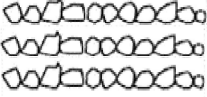
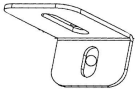





Preparation

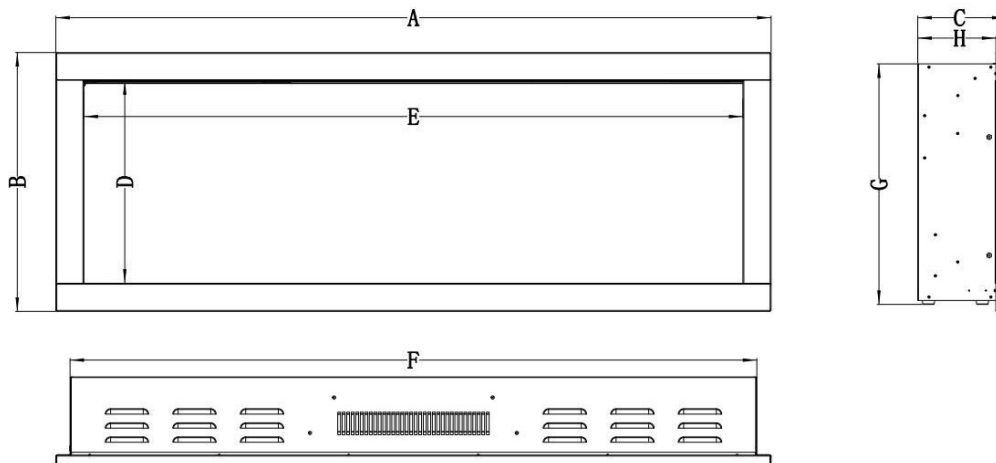
Remove all parts and hardware from the carton and place them on a clean, soft, dry surface. Parts and assembly steps are grouped for wall-hanging or recessing use. Check the parts list to make sure nothing is missing. Dispose of packaging materials properly. Please recycle whenever possible.

You will need the following tools (not included): Phillips screwdriver; stud finder; level; tape measure; electric drill; 1/4" wood drill bit; hammer.

Parts and Hardware

				
A-Wood Screw	B- Drywall anchors	C- Remote Control	D-Driftwood Logs	
				
E-Glacier Crystals	F-“L”Shape Bracket	G-Metal Cover Plate	H-Box connector	I-Manual

Specification and Dimensions



PRODUCT DIMENSIONS

Model Number	A	B	C	D	E	F	G	H
ME-HM40	39-3/8" [1000mm]	18-1/8" [460mm]	6-3/8" [162mm]	14-1/8" [360mm]	35-7/16" [900mm]	37-5/18" [955mm]	17" [431mm]	5-5/8" [143mm]
ME-HM50	50" [1270mm]	18-1/8" [460mm]	6-3/8" [162mm]	14-1/8" [360mm]	46" [1170mm]	48-1/4" [1225mm]	17" [431mm]	5-5/8" [143mm]
ME-HM60	60" [1524mm]	18-1/8" [460mm]	6-3/8" [162mm]	14-1/8" [360mm]	56" [1424mm]	58-1/4" [1479mm]	17" [431mm]	5-5/8" [143mm]
ME-HM72	72" [1830mm]	18-1/8" [460mm]	6-3/8" [162mm]	14-1/8" [360mm]	68-1/8" [1730mm]	70-1/4" [1785mm]	17" [431mm]	5-5/8" [143mm]
ME-HM84	84" [2135mm]	18-1/8" [460mm]	6-3/8" [162mm]	14-1/8" [360mm]	80-1/8" [2035mm]	82-1/4" [2090mm]	17" [431mm]	5-5/8" [143mm]
ME-HM100	100" [2540mm]	18-1/8" [460mm]	6-3/8" [162mm]	14-1/8" [360mm]	96-1/16" [2440mm]	98-1/4" [2495mm]	17" [431mm]	5-5/8" [143mm]

Installation and Assembly

This appliance is designed to be **slide-in mounted**. It can also be **hardwired** or **plugged into a receptacle** (power cord supplied). Select a suitable location that is not susceptible to moisture and is away from drapes, furniture and high traffic areas.

NOTE: Follow all National and local electrical codes.

MINIMUM CLEARANCE TO COMBUSTIBLES

Measurements are taken from the glass front.			
Bottom	0"	Top	11.8" (300mm) to mantel
Sides	0"	Top	11.8" (300mm) to ceiling
Back	0"	Front	36" (915mm)

WARNING

WHEN USING PAINT OR LACQUER TO FINISH THE MANTEL, THE PAINT OR LACQUER MUST BE HEAT RESISTANT TO PREVENT DISCOLOURATION.

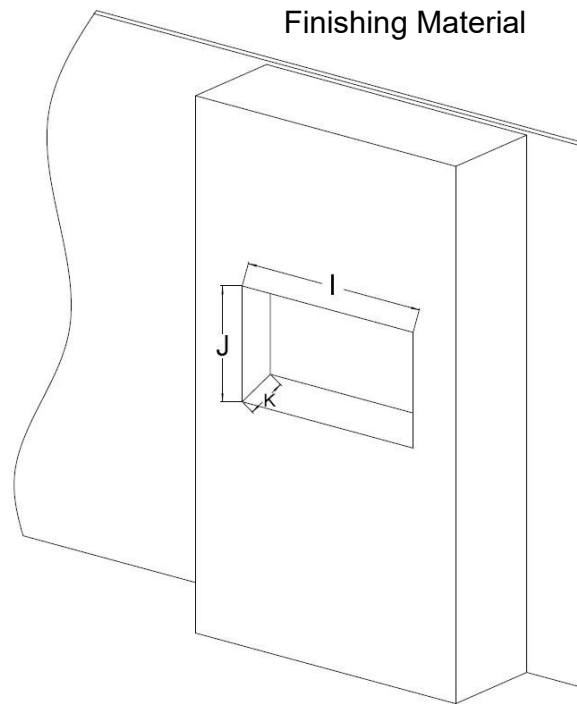
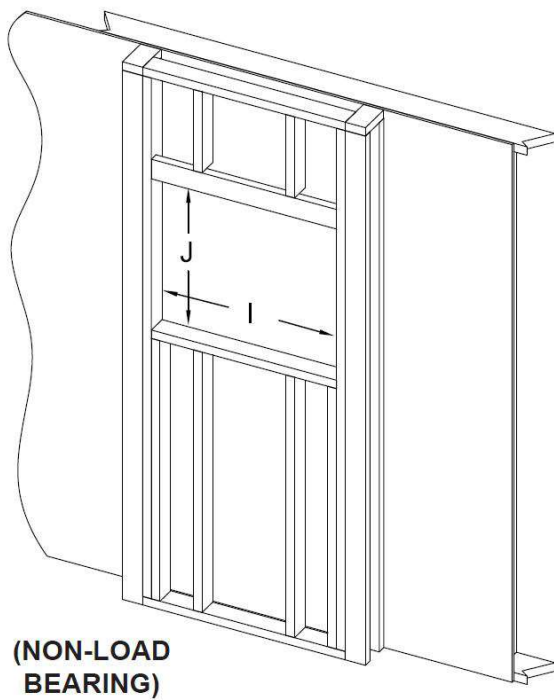
Power

Plug the power cord into a dedicated 120 Volt 15 Amp grounded outlet (see **IMPORTANT SAFETY INFORMATION** on **Pages 2 and 3**). Make sure the outlet is in good condition and the plug is not loose. **NEVER** exceed the maximum amperage for the circuit. **DO NOT** plug other appliances into the same circuit.

Pre-installation Built-in

Due to the many different materials used on different walls, it is highly recommended that you consult your local builder before you install this appliance.

- A. Select a location that is not prone to moisture and is located at least 36" (94.1cm) away from combustible materials such as curtain drapes, furniture, bedding, paper, etc.
- B. Create a rough-in frame with electrical (see below "framing").
- C. Remove the front glass (see "front glass removal / installation" section).
- D. Hold the appliance up to ensure it will fit into the framing.



Framing Hole Size			
Model Number	I	J	K
ME-HM40	37-1/2" [962mm]	17" [432mm]	6" [152mm]
ME-HM50	48-1/2" [1232mm]	17" [432mm]	6" [152mm]
ME-HM60	58-1/2" [1486mm]	17" [432mm]	6" [152mm]
ME-HM72	70-1/2" [1791mm]	17" [432mm]	6" [152mm]
ME-HM84	82-1/2" [2096mm]	17" [432mm]	6" [152mm]
ME-HM100	98-7/16" [2500mm]	17" [432mm]	6" [152mm]

Front Trim Removal

- A. Take off the screws on both side.(Fig. 1-1)
- B. Carefully lift the front trim up and away from the appliance (Fig. 1-2). Place it face down on a soft, non-abrasive surface.
- C. Reverse these steps to install the front trim.

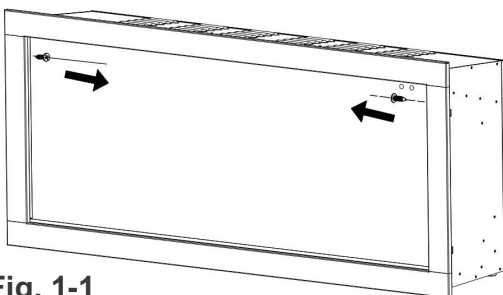


Fig. 1-1

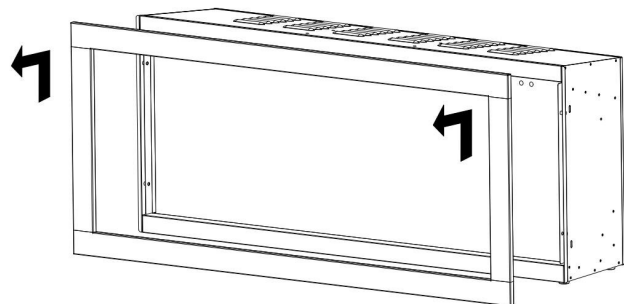


Fig. 1-2

Front Glass Panel Removal

A. With the front trim removed, take off the screws on both side.(Fig. 2-1)

B. With one hand on the front glass to prevent it from falling, remove the screws from the top of the glass. Set the screws aside. (Fig. 2-2)

C. Carefully lift the front glass up and away from the appliance. Place it face down on a soft, non-abrasive surface. (Fig. 2-3)

D. Reverse these steps to install the front glass.

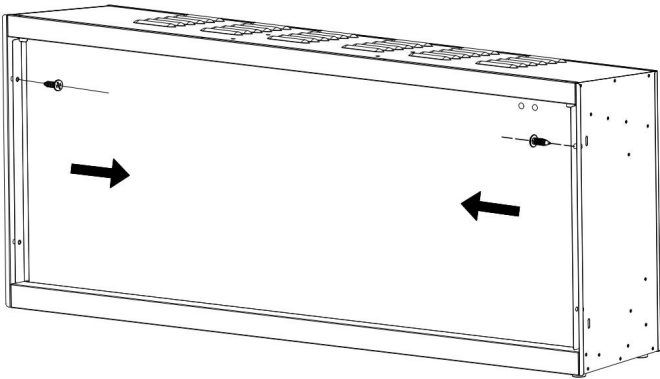


Fig. 2-1

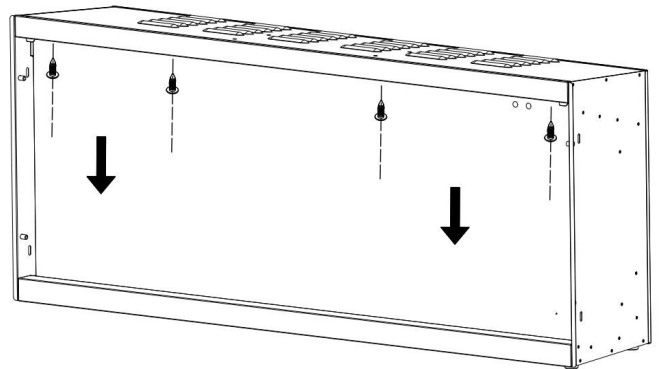


Fig. 2-2

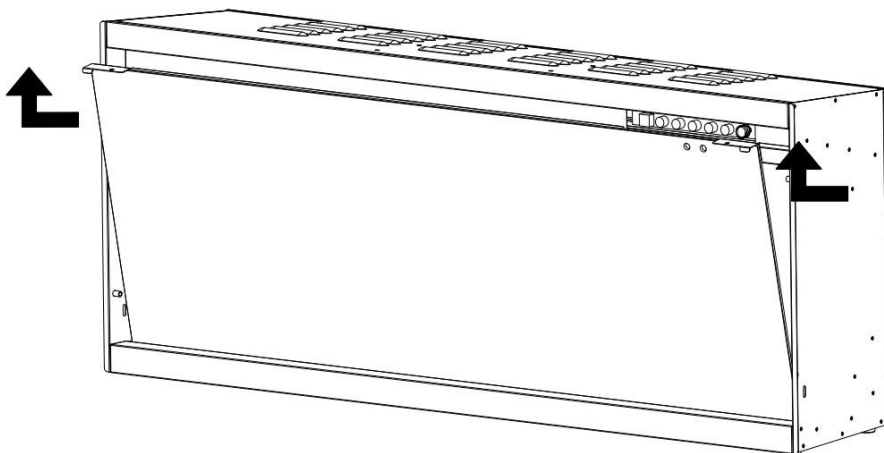


Fig. 2-3

Wall Recessed Installation

- A. With the front glass removed, take off the screws on both side.(Fig. 3-1)
- B. Carefully take the metal bracket(s) away from the appliance. Place it face down on a soft, non-abrasive surface. (Fig. 3-2)
- C. Power the fireplace by plugging into the wall receptacle.
- D. Insert the fireplace into the rough-in frame and then secure it by installing 4 wood screws (A) through the holes (Fig. 3-3, Fig 3-4).
- E. Install the logs, and put the glacier crystals into the ember bed, then re-install the front glass and front trim. See below section for driftwood logs and glacier crystals installation.
- F. Optionally, secure the fireplace by installing 4 wood screws through the mounting holes on the front (Fig. 3-5)

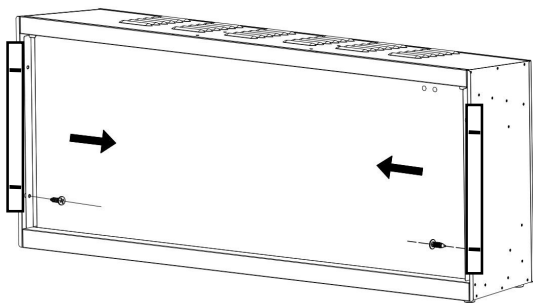


Fig. 3-1

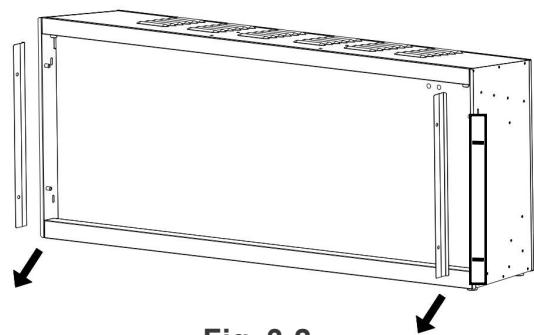


Fig. 3-2

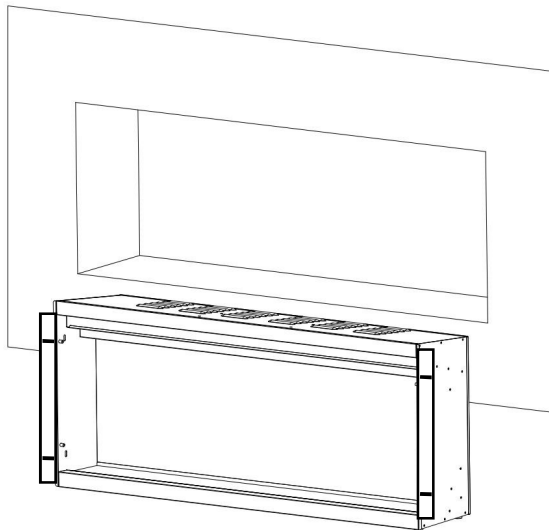


Fig. 3-3

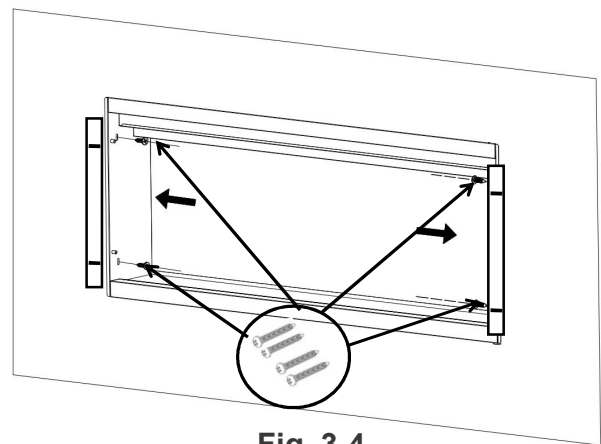


Fig. 3-4

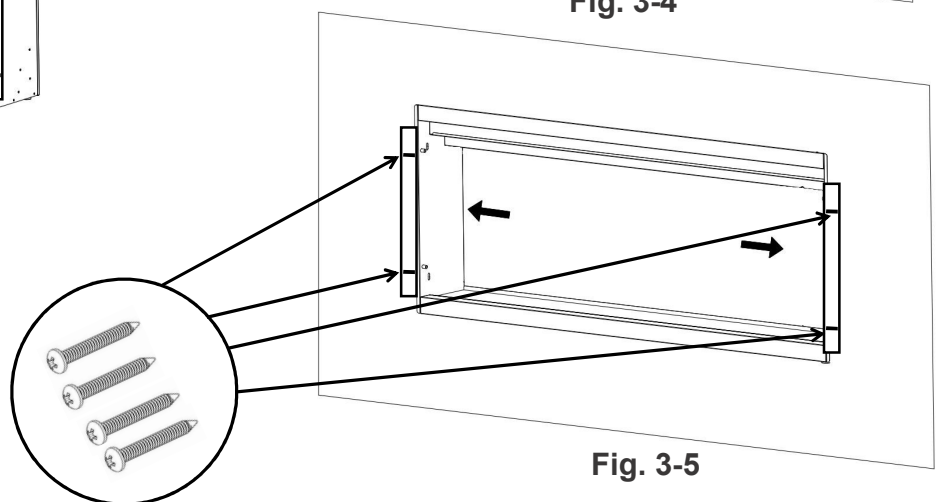


Fig. 3-5

Wall Mounted Installation

Due to the many different materials used on different walls, it is highly recommended that you consult your local builder before you install this appliance on the wall.

Step 1: Select a location that is not prone to moisture and is located at least 36" (914mm) away from combustible materials, such as curtain drapes, furniture, bedding, paper, etc.

Step 2: Have two (2) people position the appliance against the wall where it will be mounted. Use a bubble level to ensure the fireplace is level on the wall. Mark the location.

Step 3: Place the unit face down on a soft, non-abrasive surface. Remove the bracket from the back of the unit by removing the screws as shown in Fig. 3-6.

Step 4: CAUTION! It is required that the mounting bracket be screwed into wall studs.

Mark the location of the screw locations on the wall. Then mount the bracket on the wall using the supplied screws. The bracket **MUST** have the hooks facing upward and be level.

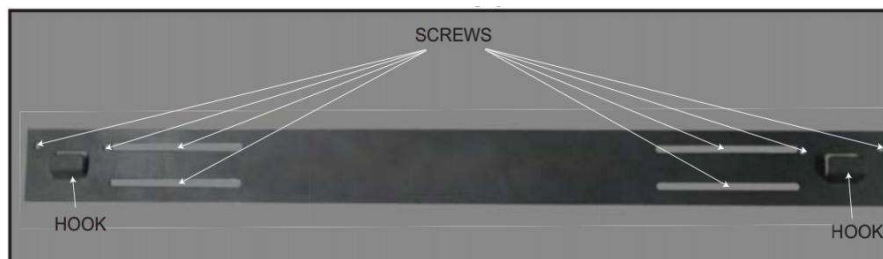
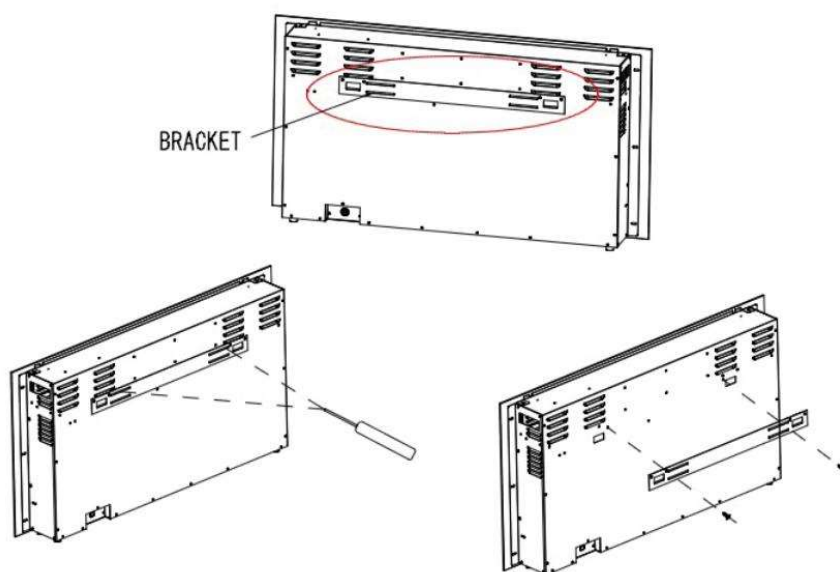


Fig. 3-6

Step 5: With the wall mounting bracket installed to the wall, have two (2) people lift the appliance and insert the two (2) hooks on the bracket into the two (2) slots on the back of the fireplace.

Step 6: Check the fireplace for stability, ensuring that the bracket will not pull free from the wall.



Wall Bracket Illustrated

“L” Shape Bracket Installation

A. Remove the silver screw at the bottom of the appliance. (Fig 4-1). Set the screw aside.

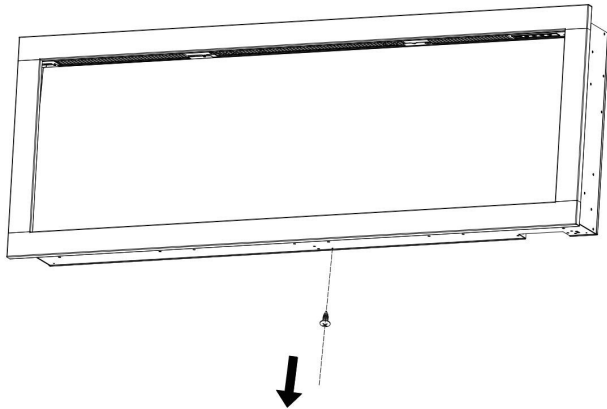


Fig 4-1

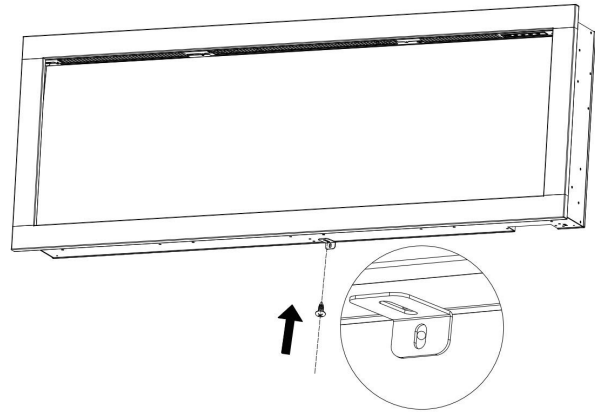


Fig 4-2

B. Using the screw previously removed, attach the L-bracket (supplied) to the bottom of the fireplace box. (Fig 4-2)

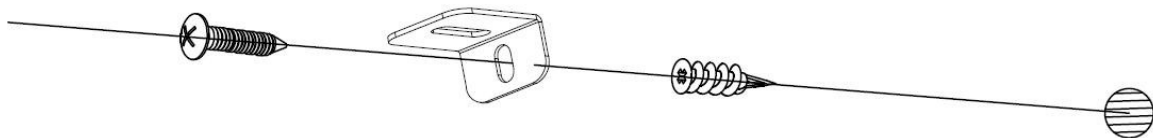


Fig 4-3

C. Install the plastic anchor (B) into the drywall, then install the screw A (supplied) into the hole of the L-bracket into the wall anchor to secure the fireplace from coming off the hooks. (Fig 4-3)

Hard Wiring Installation

WARNING

TURN OFF THE APPLIANCE COMPLETELY AND LET COOL BEFORE SERVICING. ONLY A QUALIFIED SERVICE PERSON SHOULD SERVICE AND REPAIR THIS ELECTRIC APPLIANCE.

HARD WIRING CONNECTION

If it is necessary to hard wire this appliance, a qualified electrician must remove the cord connection, and wire the appliance directly to the house wiring.

This appliance must be electrically connected and grounded in accordance with local codes, if hard wired. In the absence of local codes, use the current CSA C22.1 CANADIAN ELECTRICAL CODE in Canada or the current ANSI/NFPA 70 NATIONAL ELECTRICAL CODE in the United States.

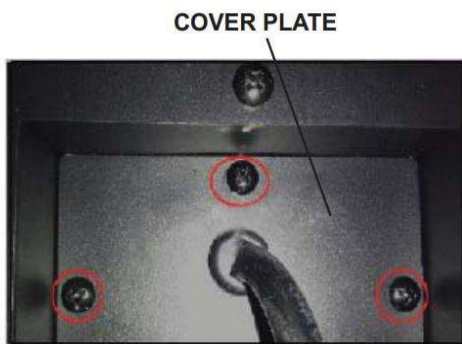


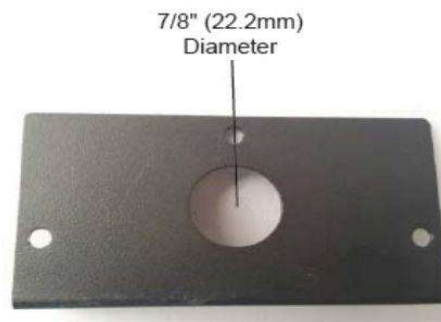
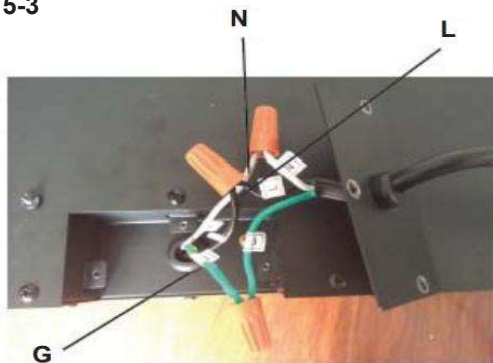
Fig 5-1



Fig 5-2

- A. Remove the cover plate from the right side bottom of the appliance by removing the three screws, as shown above. (Fig 5-1)
- B. Remove the wire connectors from the power cord. The power cord may be discarded. (Fig 5-2)
- C. Take the new cover plate, supplied in the hardware bag. Punch out the 7/8" (22.2mm) hole and install a box connector through, into the junction box. Snap the box connector clamp onto the supply wires.
- D. Using the wire connectors, connect the ground green wires (G), the common white wires (N) together, then the hot black wires (L) and then refer to Fig 5-3.
- E. Reinstall the cover plate using the three screws, as shown in Fig 5-1.

Fig 5-3



Glacier Crystals and Driftwood Logs Installation

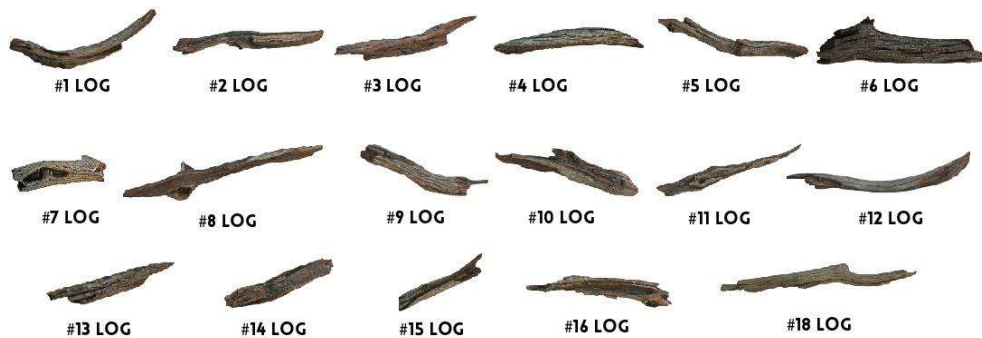
- A. Glass front must be removed and the appliance must be mounted in its final location before the glacier crystals and driftwood logs are installed.
- B. Carefully place glacier crystals into the plastic tray as illustrated. Apply an even layer from side to side. **(Fig.6-1)**
- C. Carefully place the driftwood logs on the surface of the glacier crystals. **(Fig.6-2)**
- D. Re-install the front glass and the front trim.



Fig.6-1



Fig.6-2



ME-HM40/50 - LOG PLACEMENT



ME-HM60 - LOG PLACEMENT



ME-HM72/84 - LOG PLACEMENT



ME-HM100 - LOG PLACEMENT



Operation



Read and understand this entire owner's manual, including **all safety information**, before plugging in or **using** this product. Failure to do so could result in **electric shock, fire, serious injury, or death.**

Methods of Operation

This electric fireplace can be operated by the CONTROL PANEL, located on the UPPER right corner of the fireplace, by the battery-powered REMOTE CONTROL and by the Tuya APP.





Control Panel



Remote control




Control Panel Operation







BUTTON	FUNCTION	ACTION & INDICATION
 POWER	ON: Enables control panel functions and remote control. Turns on flame effect. OFF: Disables control panel functions and remote control. Turns off flame effect.	<ol style="list-style-type: none"> Press once. Indicator light turns on. Power turns on. All functions enabled. Press again. Flame effect turns off. Unit goes to standby. All functions turn off.
 FLAME	FLAME button: Changes flame color.	<ol style="list-style-type: none"> Press once: Flame color illuminates. Press again until desired color is reached. There is a total of 10 flame colors. 01-02-03-04-05-06-07-08-09-10-11(Auto Cycle)


 HEATER	<p>HEATER button: Turns heater on and off.</p> <p>NOTE: The heater only works when the flame is on. If the flame is off, the heater will not turn on.</p> <p>NOTE: To prevent overheating, the heater fan will blow cool air for 8-10 seconds after the heater turns off.</p>	<p>Turns the heater and blower on/off.</p> <p>Settings:</p> <p>H0 - Heater and blower off</p> <p>H1 - Low Heater on with 750W</p> <p>H2 - High Heater on with 1500W</p> <p>NOTE: Press and hold the heater button for 5 seconds to lock/unlock the heater and thermostat.</p>
 TIMER	<p>TIMER button: Controls timer settings to turn off fireplace at selected time.</p> <p>Settings range from 30 min to 8 hours.</p>	<ol style="list-style-type: none"> Press once: Indicator light turns on. Timer defaults to 30 min. Press again until desired setting is reached.



Remote Control Operation

BUTTON	FUNCTION	ACTION & INDICATION
 POWER	<p>ON: Enables control panel functions and remote control. Turns on flame effect.</p> <p>OFF: Disables control panel functions and remote control. Turns off flame.</p>	<ol style="list-style-type: none"> Press once. Indicator light turns on. Power turns on. All functions enabled. Press again. Flame effect turns off. Unit goes to standby. All functions turn off.
 FLAME SPEED	<p>Flame speed button: Controls the speed of the flame. There are 4 flame speed settings.</p> <p>The Default setting is 02 (medium speed).</p>	<ol style="list-style-type: none"> Press once: Indicates current flame speed. Press again until desired setting is reached. Display shows the setting. <p>01 (Slowest), 02 (Medium), 03 (Fast), 04(Turbo)</p>
 FLAME	<p>FLAME button: Changes flame color.</p>	<ol style="list-style-type: none"> Press once: Flame color illuminates. Press again until desired color is reached. There is a total of 10 flame colors. <p>01-02-03-04-05-06-07-08-09-10-11(Auto Cycle)</p>

 <p>FLAME BRIGHTNESS</p>	<p>FLAME brightness button: Makes flame dimmer and brighter.</p>	<p>1. Press once: Flame brightness enabled. 2. Press again until desired setting is reached. F5-F4-F3-F2-F1-F0(OFF)</p>																																							
 <p>HEATER</p>	<p>HEATER button: Turns heater on and off. NOTE: The heater only works when the flame is on. If the flame is off, the heater will not turn on. NOTE: To prevent overheating, the heater fan will blow cool air for 8-10 seconds after the heater turns off.</p>	<p>Turns the heater and blower on/off. Settings: H0 - Heater and blower off H1 - Low Heater on with 750W H2 - High Heater on with 1500W NOTE: Press and hold the heater button for 5 seconds to lock/unlock the heater and thermostat.</p>																																							
 <p>TIMER</p>	<p>TIMER button: Controls timer settings to turn off fireplace at selected time. Settings range from 30 min to 8 hours.</p>	<p>1. Press once: Indicator light turns on. Timer defaults to 30min. 2. Press again until desired setting is reached.</p>																																							
 <p>EMBER BED</p>	<p>EMBER BED button: Turns on media bed and changes color.</p>	<p>1. Press once: Turns on ember bed. 2. Press again until desired color is reached. There is a total of 10 flame colors. 01-02-03-04-05-06-07-08-09-10-11 (Auto Cycle)-12 (Lock)</p>																																							
 <p>EMBER BED BRIGHTNESS</p>	<p>EMBER BED brightness button: Makes media bed dimmer and brighter.</p>	<p>1. Press once: Brightness becomes active. 2. Press again until desired setting is reached. There is a total of 4 brightness levels and 1 pulsating level. L5-L4-L3-L2-L1 (Pulsating)-L0(OFF)</p>																																							
 <p>TEMP</p>	<p>1. Press once: Touch panel indicator becomes active. 2. Press again until desired temperature is reached. Digital display shows settings 0-10. Table below shows corresponding temperatures:</p> <table border="1" data-bbox="264 1789 1479 1930"> <tr> <td>NO</td> <td>0</td> <td>1</td> <td>2</td> <td>3</td> <td>4</td> <td>5</td> <td>6</td> <td>7</td> <td>8</td> <td>9</td> <td>10</td> <td>NO</td> </tr> <tr> <td>°C</td> <td>20</td> <td>21</td> <td>22</td> <td>23</td> <td>24</td> <td>25</td> <td>26</td> <td>27</td> <td>28</td> <td>29</td> <td>30</td> <td>C</td> </tr> <tr> <td>°F</td> <td>68</td> <td>70</td> <td>72</td> <td>74</td> <td>76</td> <td>78</td> <td>80</td> <td>82</td> <td>84</td> <td>86</td> <td>88</td> <td>F</td> </tr> </table> <p>NOTE: Press the button for 5 seconds to switch between ° C and ° F.</p>		NO	0	1	2	3	4	5	6	7	8	9	10	NO	°C	20	21	22	23	24	25	26	27	28	29	30	C	°F	68	70	72	74	76	78	80	82	84	86	88	F
NO	0	1	2	3	4	5	6	7	8	9	10	NO																													
°C	20	21	22	23	24	25	26	27	28	29	30	C																													
°F	68	70	72	74	76	78	80	82	84	86	88	F																													

	<p>DOWN LIGHT button: Turns on LED down light and changes color.</p>	<p>1.Press once: Turns on LED down light. 2.Press again until desired color is reached. There is a total of 10 flame colors. 01-02-03-04-05-06-07-08-09-10-11(Auto Cycle)-12(OFF) NOTE: Press and hold the media button for 5 seconds, fireplace enabled to nightlight mode.</p>
---	---	---

NOTICE When the heater is first turned on, a slight odor may be present. This is normal and should not occur again unless the heater is not used for a long period of time.

NOTICE To improve operation, **aim** the remote control at the front of the fireplace. **DO NOT press the buttons too quickly.** Give the unit time to respond to each command.


Temperature Limiting Control

This heater is equipped with a Temperature Limiting Control. Should the heater reach an unsafe temperature, the heater will automatically turn OFF. To reset:

1. Turn the unit off and unplug the cord from the outlet. Wait 5 minutes.
2. Inspect the fireplace to make sure no vents are blocked or clogged with dust or lint. If they are, use a vacuum to clean the vent areas.
3. Plug the cord into the power outlet and turn the unit on.
4. If the problem continues, have your outlet and wiring inspected by a professional.


Remote Control Battery Information


- Remote control uses two **AAA** batteries (**Not Included**)

 **NEVER** dispose of batteries in **fire**. Failure to observe this precaution **may result in an explosion**. Dispose of batteries at your local hazardous material processing center.

Care and Maintenance

Cleaning

 **ALWAYS** turn the heater **OFF** and **remove the power from the appliance** before cleaning, performing maintenance, or moving the fireplace. Failure to do so could result in **electric shock, fire, or personal injury**.

 **NEVER** immerse in **water** or **spray with water**. Doing so could result in **electric shock, fire, or personal injury**.

Metal:

- Clean using a soft cloth, slightly dampened with soapy water.
- **DO NOT** use brass polish or household cleaners as these products will damage the metal trim.

Glass:

- Use a good quality glass cleaner sprayed onto a cloth or towel. Dry thoroughly with a paper towel or lint-free cloth.
- **NEVER** use abrasive cleansers, liquid sprays, or any cleaner that could scratch the surface.



Vents:

- Use a vacuum or duster to remove dust and dirt from the heater and vent areas.

Plastic:

- Wipe gently with a slightly damp cloth and a mild solution of dish soap and warm water.
- **NEVER** use abrasive cleansers, liquid sprays, or any cleaner that could scratch the surface.

Maintenance


	Risk of electric shock! DO NOT OPEN any panels! No user-serviceable parts inside!
	ALWAYS turn the heater OFF and remove power from the appliance before cleaning, performing maintenance, or moving the fireplace. Failure to do so could result in electric shock, fire, or personal injury .

Electrical and Moving Parts:

- The fan motors are lubricated at the factory and will not require lubrication.
- Electrical components are integrated in the fireplace and are not serviceable by the consumer.

Storage:

- Store heater in a clean, dry place when not in use.

	WARNING! NO SERVICING of the internal or electrical parts should be performed by the consumer. Do not service the unit yourself.
---	---

Replacement Parts List

Ref.	SPARE PARTS	ME-HM40	ME-HM50	ME-HM60	ME-HM72	ME-HM84	ME-HM100	
1	Front Metal Trim	ME-HM40-3140071	ME-HM50-3991016	ME-HM60-3991017	ME-HM72-3991018	ME-HM84-3991171	ME-HM100-3991172	
2	Front Glass	ME-HM40-4060011873	ME-HM50-4060011008	ME-HM60-4060011009	ME-HM72-4060011010	ME-HM84-4060011122	ME-HM100-4060011123	
3	Acrylic Plasic Panel	ME-HM40-4010020714	ME-HM50-4010020763	ME-HM60-4010020772	ME-HM72-4010020773	ME-HM84-4010020861	ME-HM100-4010020863	
4	Heater (Resistance Heater)	ME-HM-4040040115						
5	Blower	ME-HM-4040010106						
6	Step Motor	ME-HM-4040010139						
7	Power Board	ME-HM-4040090040						
8	Main Circuit Board	ME-HM-4040100252						
9	Remote Control	ME-HM-4040150227						
10	Flame LED Strip	ME-HM-4040080033						
11	Ember bed LED Strip	ME-HM-4040080002						
12	Downlight LED Strip	ME-HM-4040080123						
13	THERMOSTAT (NTC)	ME-HM-3350002						
14	REMOTE RECEIVER	ME-HM-3350006						
15	Control Panel	ME-HM-4040110073						
16	Display	ME-HM-4040030027						
17	Log, 1	ME-HM-4010040406						
18	Log, 2	ME-HM-4010040407						
19	Log, 3	ME-HM-4010040408						
20	Log, 4	N/A					ME-HM-4010040409	
21	Log, 5	ME-HM-4010040410						
22	Log, 6	ME-HM-4010040411						
23	Log, 7	N/A		ME-HM-4010040412				
24	Log, 8	ME-HM-4010040413						
25	Log, 9	ME-HM-4010040414						
26	Log, 10	N/A					ME-HM100-4010040415	
27	Log, 11	N/A					ME-HM-4010040435	
28	Log, 12	N/A			ME-HM-4010040436			
29	Log, 13	N/A			ME-HM-4010040437			
30	Log, 14	ME-HM-4010040438						
31	Log, 15	N/A		ME-HM-4010040439				
32	Log, 16	N/A			ME-HM-4010040440			
33	Log, 18	N/A					ME-HM100-4010040441	

Troubleshooting

Problem	Possible Cause	Corrective Action
Nothing comes on (touch screen, etc.)	A. Breaker tripped or circuit has no power	A. Reset breaker, test circuit for power, check power switch
	B. Internal component is frozen and needs to be reset	B. Turn power off at the main breaker for 60 seconds. Turn power back on.
	C. Loose connection	C. Inspect wiring for loose or damaged connection
	D. Defective component	D. Replace motherboard, touch control or power switch
Touch Screen Comes on - then nothing	A. Not operating touch control properly with finger	A. Press flat part of finger firmly on the touch screen and apply moderate pressure
	B. Loose connection on motherboard	B. Check functions with remote control. If functional, check connections on motherboard
	C. Motherboard is defective	C. Replace Motherboard
Fireplace turns off and will not turn back on	A. Fireplace has overheated and safety disc has snapped or circuit breaker has tripped	A. Turn the main breaker to the "off" position for 60 seconds. Next flip the breaker back into the "on" position.
Can operate fireplace functions with manual controls but not remote control	A. Low Batteries	A. Replace batteries in remote control with - CR2025
	B. Remote not paired properly	B. With the fireplace ON, press and hold the Power button for about 3 seconds until you hear the buzzer sound twice and the power indicators begin to flash. Within 5 seconds, on the hand held remote, press the Power button repeatedly until the buzzer sounds again and the indicators flash, acknowledging that it has paired. You may also hear another buzzer and the pair is now completed.
	C. Remote control defective	C. Replace remote control
Heater does not provide heat when on	A. Wiring is loose	A. Disconnect unit from power source and inspect for loose connections
	B. Snap disc tripped	B. Turn off for 5 minutes to reset
	C. Heater core is defective	C. Replace Heater Core

Problem	Possible Cause	Corrective Action
Flame is not visible when unit is turned on	A. Wiring is loose	A. Disconnect unit from power source and inspect for loose connections
	B. LEDs defective	B. Replace LEDs
	C. Motherboard is defective	C. Replace motherboard
Fireplace lights up but there is no flame image or flame image frozen	A. Wiring for motor is loose	A. Disconnect unit from power source and inspect for loose connections from motor
	B. Spindle rod came loose	B. Reconnect spindle rod
	C. Motor is defective	C. Replace motor
Fireplace is squeaking when flame image is on	A. Fireplace spindle/rod is contacting to metal	A. Apply lithium grease or any standard grease to contacts with rod and metal
	B. Motor is defective	B. Replace motor
Heater does not turn on	A. Heater is locked out	A. Unlock heater. See Operation Section
	B. Flame Only, No Heat mode is enabled in the App	B. Turn off Flame Only, No Heat in the App

FREQUENTLY ASKED QUESTIONS

Q. What distance can the remote be used from the fireplace?

A. Optimal distance for the remote control is maximum 20 feet.

Q. Can you turn on the fireplace via the manual control and off via the remote (or vice versa)?

A. Yes.

Q. Can the fireplace be installed outside?

A. No. Please review the entire safety chapter before installing this fireplace.

Q. Does the fireplace need to be on a dedicated 15 amp circuit?

A. Yes.

Q. What thickness of sheetrock should be used for the recessed installation?

A. 1/2" or 5/8." Thinner is recommended for tile facade.

Q. How often do the batteries in the remote need to be replaced?

A. Annually, possibly more with heavy use.

Q. Is there a remote receiver in the fireplace that requires batteries?

A. No, only the actual remote requires batteries. The rest of the fireplace runs entirely off of the main power supply.

Q. How do I reset the unit?

A. Turn power off at the breaker for 1 minute.

MODERN EMBER

Questions, problems, missing parts?

Before returning to store, call

Customer Service:

8am-5pm CST, Monday - Friday

Phone: 877-430-0703

Email: resolutions@electricfireplacesdirect.com

Retain this manual for future use.